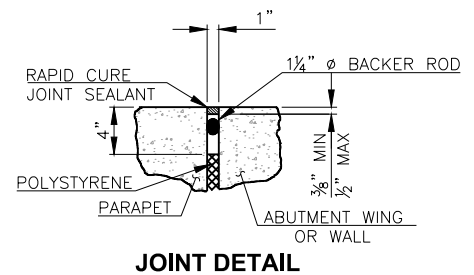
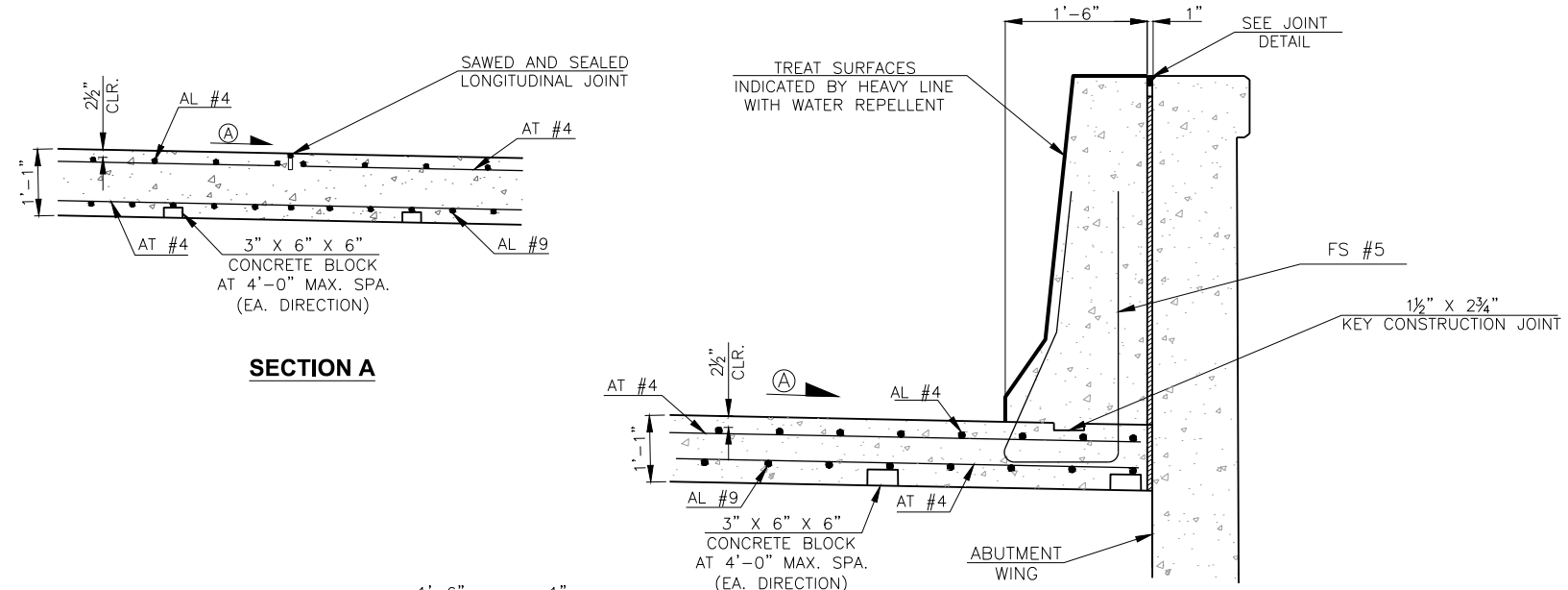


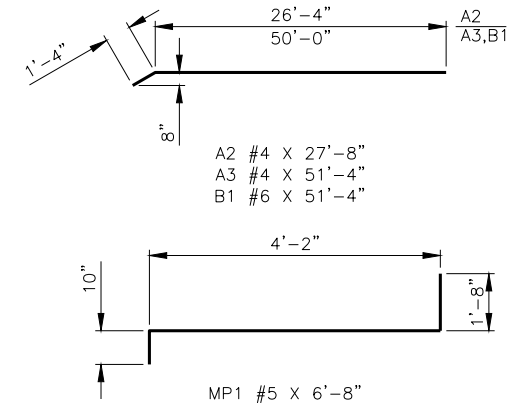
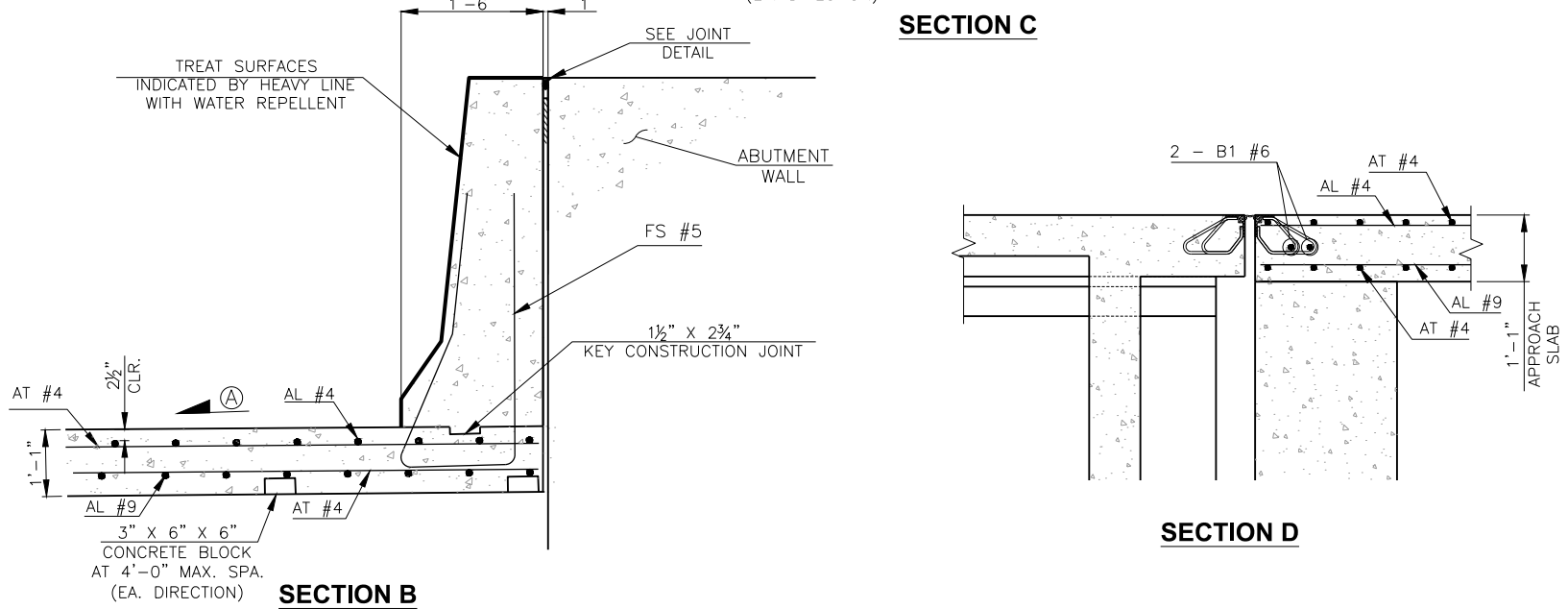
DESCRIPTION	REVISIONS	DATE



NOTES:
 PLACE REINFORCING IN THE TOP OF THE APPROACH SLAB 2" FROM EITHER SIDE OF THE SAWED AND SEALED LONGITUDINAL JOINT. FOR ADDITION DETAILS OF LONGITUDINAL JOINT, SEE STD. LECS-4.
 FOR ADDITIONAL DETAIL OF APPROACH SLAB AT ABUTMENT, SEE SHEETS 94 AND 101.
 FOR ADDITIONAL DETAIL OF CONCRETE PARAPET, SEE STD. FSHP-42-2.

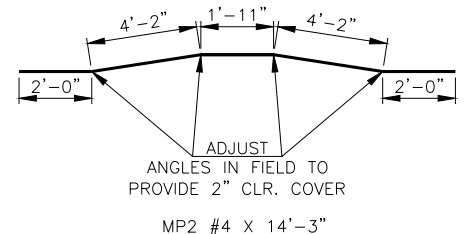
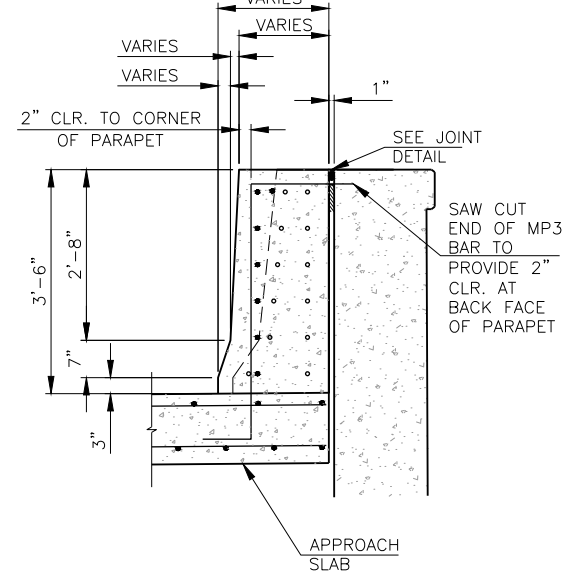
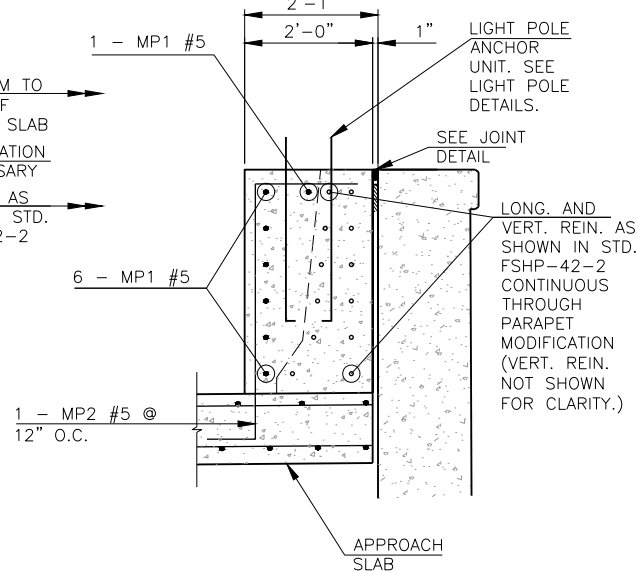
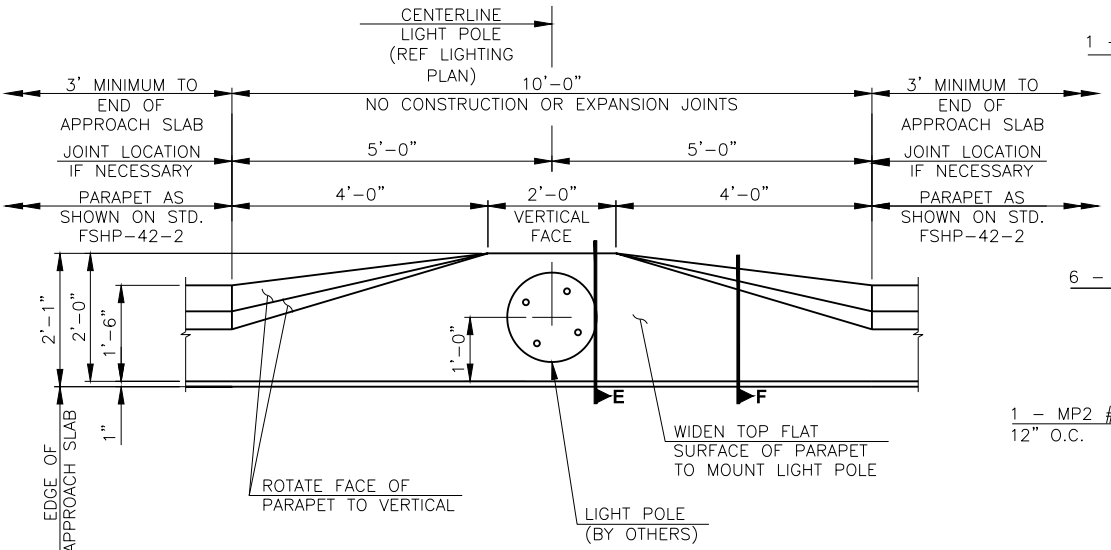
(A) FOR APPROACH SLAB CROSS SLOPE, SEE SHEET 74.

APPROACH SLAB NO. 1 BAR LIST					
EPOXY COATED REINFORCING					
MARK	SIZE	NO.	FORM	LENGTH	LENGTH VARIATION
A1	#4	1	STR.	23'-3"	
A2	#4	1	BNT.	27'-8"	
A3	#4	1	BNT.	51'-4"	
AL1	#4	48	STR.	24'-11"	
AL2	#4	22	STR.	23'-11" AVG.	18'-1" TO 29'-9"
AL3	#4	23	STR.	11'-6" AVG.	5'-2" TO 17'-10"
AL4	#4	3	STR.	4'-8"	
AL5	#9	65	STR.	42'-6" AVG.	30'-2" TO 54'-10"
AL6	#9	3	STR.	29'-10"	
AT1	#4	45	STR.	20'-2"	
AT2	#4	11	STR.	10'-4" AVG.	2'-1" TO 18'-7"
AT3	#4	31	STR.	24'-2"	
AT4	#4	13	STR.	12'-2" AVG.	2'-0" TO 22'-4"
AT5	#4	30	STR.	44'-8"	
AT6	#4	25	STR.	22'-7" AVG.	2'-1" TO 43'-1"
FS2	#5	85	BNT.	7'-4"	
MP1	#4	7	BNT.	6'-8"	
MP2	#5	11	BNT.	14'-3"	



APPROACH SLAB NO. 2 BAR LIST					
EPOXY COATED REINFORCING					
MARK	SIZE	NO.	FORM	LENGTH	LENGTH VARIATION
A1	#4	1	STR.	23'-3"	
A2	#4	1	BNT.	27'-8"	
A3	#4	1	BNT.	51'-4"	
AL1	#4	48	STR.	24'-11"	
AL7	#4	22	STR.	10'-7" AVG.	4'-9" TO 16'-5"
AL8	#4	23	STR.	23'-0" AVG.	16'-8" TO 29'-4"
AL9	#4	3	STR.	29'-10"	
AL10	#9	65	STR.	42'-2" AVG.	29'-10" TO 54'-6"
AL11	#9	3	STR.	54'-11"	
AT1	#4	31	STR.	20'-2"	
AT3	#4	43	STR.	24'-2"	
AT5	#4	30	STR.	44'-8"	
AT7	#4	12	STR.	10'-11" AVG.	2'-0" TO 19'-10"
AT8	#4	13	STR.	13'-2" AVG.	2'-10" TO 23'-6"
AT9	#4	25	STR.	23'-9" AVG.	3'-0" TO 44'-6"
B1	#6	2	BNT.	51'-4"	
FS2	#5	85	BNT.	7'-4"	
MP1	#4	7	BNT.	6'-8"	
MP2	#5	11	BNT.	14'-3"	

(1) FOR FS2 BAR BEND, SEE STD. FSHP-42-2.



APPROACH SLAB QUANTITIES - BRIDGE A				
ITEM	UNIT	APPROACH SLAB NO. 1	APPROACH SLAB NO. 2	TOTAL
APPROACH SLAB	S.Y.	210.7	214.9	425.6
SAW-CUT GROOVING	S.Y.	197	201	398
42" F-SHAPED PARAPET	L.F.	85.1	85.1	170.2
WATER REPELLENT (VISUALLY INSPECTED)	S.Y.	42	42	84

DESIGN	T.A.C.	OKLAHOMA CITY BLVD. OVER CLASSEN BLVD.	OKLAHOMA COUNTY BRIDGE A
DRAWN	R.A.P.		
CHECKED	T.A.C.		
APPROV.	T.A.C.		
SQUAD	CEC		

APPROACH SLAB DETAILS